

# PARTS CATALOG

MODEL  
IO-360-A  
AIRCRAFT  
ENGINE



SCA



*Continental Motors Corporation*  
*Aircraft Engine Division*

*Wichita, Mich., U.S.A.*

# **PARTS CATALOG**

**CONTINENTAL MOTORS CORP.**

***MODEL 10-360-A  
AIRCRAFT ENGINE***

**CMC FORM NO. 10-36-4**

## TABLE OF CONTENTS

	Page
INTRODUCTION.....	i
SECTION I-GROUP ASSEMBLY PARTS LIST.....	
Figure 1-Crankshaft, Camshaft, Connecting Rods, Bearing and Gear.....	1
Figure 2-Complete Crankcase Assembly.....	3
Figure 3-Piston and Cylinder Assembly.....	6
Figure 4-Oil Sump and Crankcase Cover.....	10
Figure 5-Starter and Adapter Installation.....	11
Figure 6-Ignition System.....	13
Figure 7-Fuel Injection System.....	15
Figure 8-Induction System.....	17
SECTION II - OVERSIZE AND UNDERSIZE PARTS LIST.....	18
SECTION III - REPAIR PARTS SETS AND MATERIALS.....	19
SECTION IV- STUD INTERCHANGEABILITY LIST.....	20

## INTRODUCTION

This parts catalog contains 8 figures which illustrate in "exploded" form the major assemblies or groups of the engine. Each figure contains its own set of index numbers to indicate detail parts and these index numbers are keyed to the list of parts appearing on the same page or adjacent pages as the illustration. The first column of each assembly group listing contains the figure number (not repeated on all lines), and following a dash, the index number of the sub parts. Do not order parts by figure and index number. Use part numbers which appear in the second column and the corresponding names which appear in the third column. Castings without studs installed and certain other parts are listed only to match the illustrations and to show assembly composition. Such parts are not sold separately and are so marked.

Indentation of part descriptions shows assembly relationship. Part descriptions indented to column 3 are of parts of subassemblies. The subassembly name is the preceding item which begins in column 2. Such subassemblies are included in assemblies whose descriptions are listed above and beginning in column 1.

Quantities of parts, as listed in Section I, are for specific applications in one assembly. Similar assemblies listed in Section I are grouped together, and quantities of sub parts are for one of each assembly.

Section II contains a list of oversize and undersize parts. These parts must be ordered by the numbers listed therein, with correct descriptions, to avoid errors. Corresponding standard size part numbers in Section I are preceded by a symbol (#) to indicate the availability of the nonstandard sizes.

Section III contains a list of sets of parts which are usually wanted in such groups for overhaul work. These parts should be ordered by set part numbers.

Parts listed in this catalog are sold only by Approved Service Stations, who carry stocks for immediate delivery and are equipped to perform maintenance work. Engine operators are urged to consult the nearest Continental Approved Service Station for parts and service information and advice. Prices of spare parts are not listed herein, because they are subject to frequent changes. Prices of spare parts and accessories are listed in our Master Parts Price List, which is furnished to all Approved Service Stations.

Obviously a catalog cannot be revised often enough to reflect each supersession in part numbers. Service bulletins are issued to our Service Stations when design changes occur which affect the applicability of new parts. Some bulletins describe recommended replacements, while others contain maintenance data and advice. These bulletins may be examined at Service Stations or may be procured from our Service Department, 205 Market St., Muskegon, Michigan, on a subscription basis. A price list of service publications will be furnished on request.

LIST OF ABBREVIATIONS  
AND SYMBOLS

<u>SYMBOLS</u>	<u>DEFINITIONS</u>	<u>SYMBOLS</u>	<u>DEFINITIONS</u>
AR	As required	NS	Not sold
assy	Assembly	OD	Outside diameter
cyl	Cylinder(s)	OS	Oversize
dia	Diameter	PD	Pitch diameter (of thread)
fil	Fillister	rd	Round
hd	Head	Ref	Reference
ID	Inside diameter	Supsd	Superseded
in.	Inch(s)	US	Undersized
lg	Long	#	Oversize parts are available
mm	Millimeters	#	Undersize parts are available
No.	Number(s)	---*---	End of a group of attaching parts
NPT	National pipe tape or thread, tapered		Part of a set supplied for over- haul of one complete engine

ACCESSORY SERVICE DATA

Parts lists and service instructions relative to accessories may be obtained from the following sources:

<u>ACCESSORY</u>	<u>MFR'S NO.</u>	<u>DESCRIPTION</u>	<u>ADDRESS</u>
Alternator		24 Volt	Auto-Lite Electric Co.
Starters	1108234	24 Volt Delco-Remy	United Motors Service General Motors Bldg., Detroit, Michigan
Magneto		Model S6LN-25	Scintilla Magneto Div. Bendix Aviation Corp., Sidney, New York

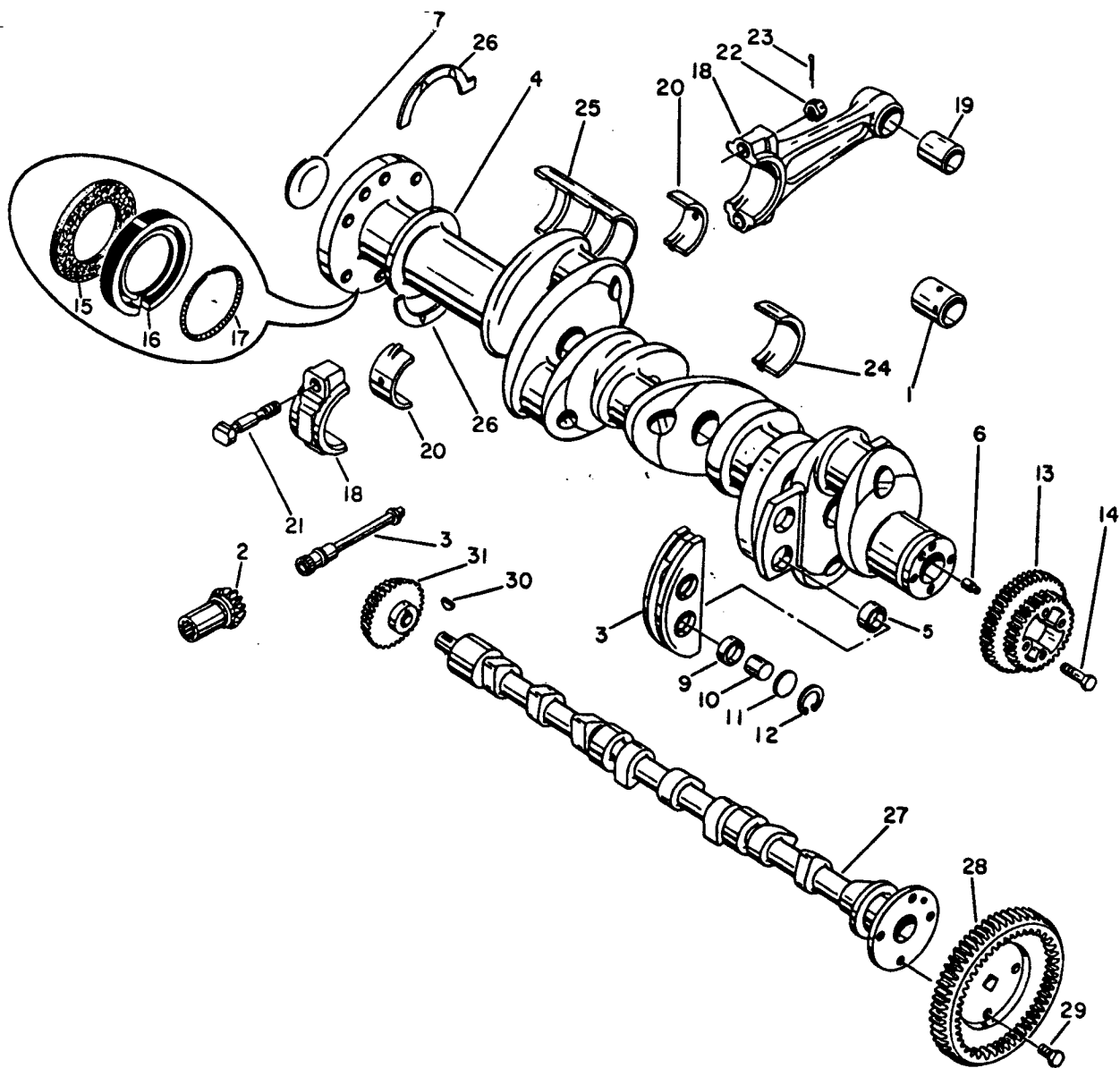


FIGURE . CRANKSHAFT, CAMSHAFT, CONNECTING ROD,  
BEARINGS AND GEARS

FIG. & INDEX NO.	PART NUMBER	DESCRIPTION							UNITS PER ASSY
		2	3	4	5	6	7		
- 1	629718	Bushing - Starter .....							
-2	629602	Gear - Governor driven.....							
-3	630265	Shaft - Fuel pump drive.....							
	630487	Crankshaft and Damper Assembly.....							
	#630307	. Crankshaft Assembly.....							1
-4	No Number	. Crankshaft and Tubes Assembly .....							NS
-5	626566	. Bushing - Crankshaft damper .....							4
-6	630651	. Dowel .....							1
-7	629935	. Plug .....							
	629696	. Counterweight Assembly - Crankshaft .....							2
-8	No Number	. Counterweight - Crankshaft .....							NS
-9	626564	. Bushing - Counterweight .....							4
-10	630261-17	. Pin - Crankshaft counterweight.....							4
-11	630306	. Plate - Counterweight pin retaining .....							8
-12	629004	. Ring - Internal retaining .....							8
-13	630690	. Gear - Crankshaft cluster .....							
( ATTACHING PART)									
14	630692	Screw - 5/16 X in. hex head .....							4
-----*									
	539241	Seal and Felt Assembly - Crankshaft oil .....							
-15	539242	. Felt - Seal .....							
-16	628446	. Seal - Crankshaft oil .....							
-17	530974	. Spring - Oil seal .....							
	626168-A1	Connecting Rod Assembly - Complete .....							6
-18	No Number	. Rod and Cap - Connecting .....							NS
-19	538684	. Bushing - Piston pin .....							
-20	#35897	. Bearing - Connecting rod.....							2
-21	530213	. Bolt - Connecting rod .....							2
-22	626140	. Nut - 3/8-24 X 21/64 in. high slotted .....							2
-23	AN381-25-8	. Pin - 1/16 X 5/8 in. cotter .....							2
-24	#630251	Bearing - Crankshaft rear and intermediate .....							6
-25	#629609	Bearing - Crankshaft front .....							2
-26	628136	Washer - Bearing thrust .....							4
	629627-A1	Camshaft Assembly .....							
-27	#629627	Camshaft .....							1
-28	630562	Gear - Camshaft .....							
( ATTACHING PARTS)									
-29	530992	Screw - 5/16-24 X 7/16 in. hex head .....							4
-30	AN280H405	Key - Woodruff .....							
-31	629588	Gear - Governor drive.....							1

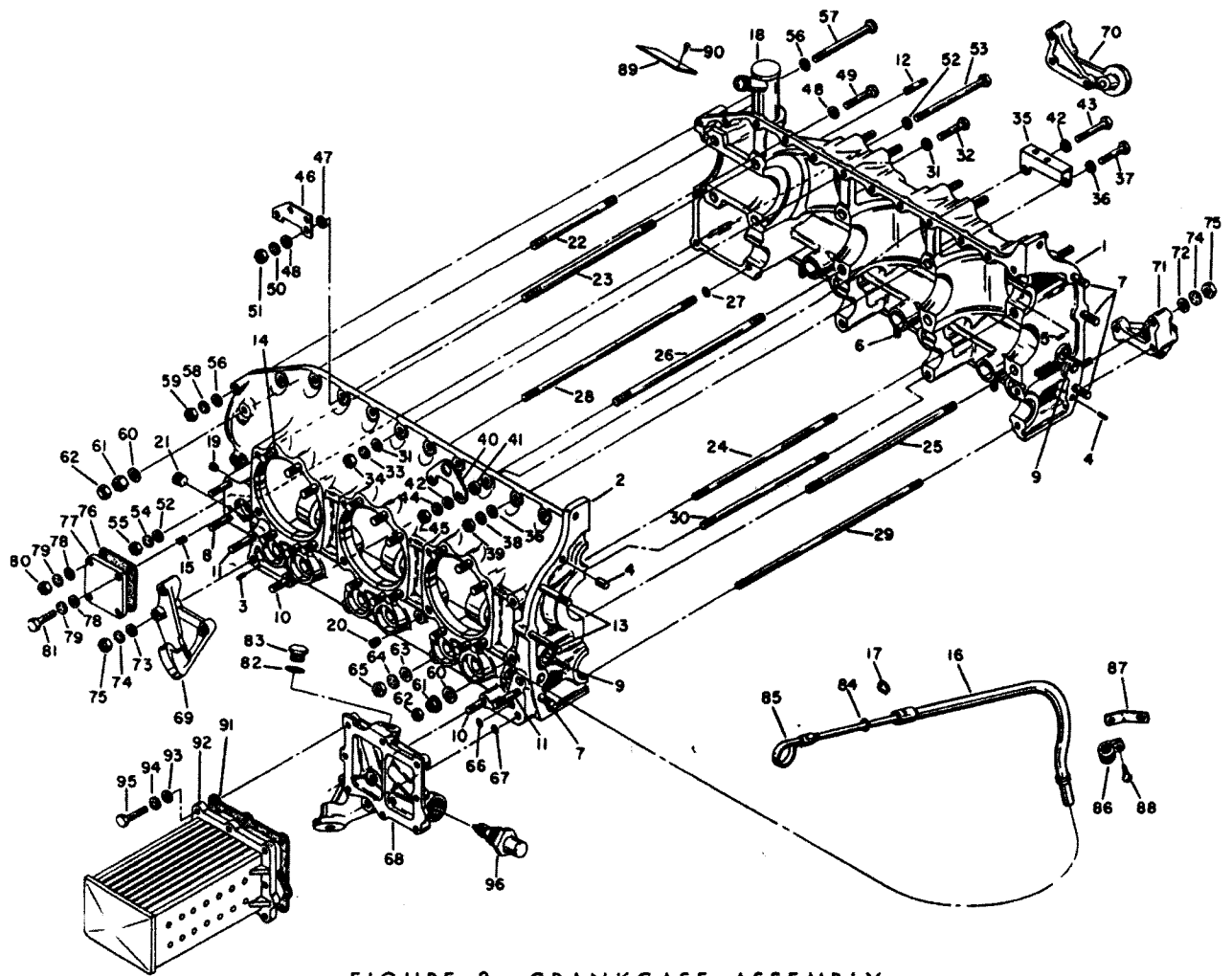


FIGURE 2. CRANKCASE ASSEMBLY

FIG. & INDEX NO.	PART NUMBER	DESCRIPTION							UNITS PER ASSY
		1	2	3	4	5	6	7	
2-	No Number								NS
2-	629749								NS
-1	No Number								NS
-2	No Number								NS
-3	200138								
-4	21080								2
-5	629720								1
-6	#401801								14
-7	#401809								4
-8	#401814								3
-9	#401894								2
-10	#401945								
-11	#401977								
-12	#402151								
-13	#402439								2
-14	#AN126606								36

FIG. & INDEX NO.	PART NUMBER	1	2	3	4	5	6	7	UNITS PER ASSY
-15	MS122122	.							1
-16	629849	.							1
-17	537299	.							1
-18	630204	.							1
-19	2024	.							
-20	629518-1	.							
-21	AN932C4	.							2
-22	531205-5.86								2
-23	531205-9.24								2
-24	531205-10.18								1
-25	531205-10.55								
-26	531205-10.68								4
-27	AN123862								2
-28	629758-12.60								1
-29	629758-12.90								
-30	537466								2
-31	20522								12
-32	AN4-13A								6
-33	AN936A416								6
-34	2437								
-35	626406								Ref
( ATTACHING PARTS )									
-36	20522								2
-37	21176								
-38	AN936A416								
-39	2437								
--*----									
-40	24879								1
( ATTACHING PARTS )									
-41	25164								
-42	20522								
-43	537728								
-44	AN936A416								
-45	2437								2
----*----									
-46	629738								
( ATTACHING PARTS )									
-47	22139								4
-48	20522								2
-49	537728								4
-50	AN936A416								2
-51	2437								2
-52	20522								2
-53	629725								1
-54	AN936A416								1
-55	2437								1
-56	20522								4
-57	629728								2
-58	AN936A416								2
-59	2437								2

FIG. & INDEX NO.	PART NUMBER	DESCRIPTION							UNIT: PER ASSY
		2	3	4	5	6	7		
-60	20202							Washer - 7/16 in. plain .....	8
-61	531001							Nut - 7/16-20 flanged .....	8
-62	2958							Lock - 7/16 nut .....	8
-63	401507							Washer - 25/64 in. plain .....	4
-64	AN936A616							Washer - Lock .....	4
-65	2441							Nut - 7/16-24 plain .....	4
-66	629196							Packing - Preformed .....	2
-67	AN123862							Packing - Preformed .....	
-68	629636							Bracket - Oil cooler and engine mounting .....	1
-69	629662							Bracket - Engine left front mounting .....	1
-70	629665							Bracket - Engine right front mounting .....	1
-71	629666							Bracket - Engine right rear mounting .....	1
( ATTACHING PARTS )									
-72	539058							Washer - 3/8 in. plain .....	8
-73	401507							Washer - 25/64 in. plain .....	4
-74	AN936A616							Washer - Lock .....	12
-75	2441							Nut - 3/8-24 plain .....	12
----*									
-76	531083							Gasket - Governor pad .....	
-77	36181							Cover - Governor pad .....	
ATTACHING PARTS)									
-78	AN960-516							Washer - 5/16 in. plain .....	4
-79	AN936A516							Washer - Lock .....	4
-80	AN315-5R							Nut - 5/16-24 plain .....	3
-81	538402							Bolt - 5/16 X 1-1/2 in. hex head .....	
----*----									
-82	AN900-10							Gasket - Annular .....	
-83	532432-1							Plug - 5/8-18 .....	
	629851-A1							Rod Assy - Complete .....	
-84	AN123861							. Packing - Preformed .....	
-85	629851							. Rod Assy - Oil gage .....	
-86	630688							Clamp - Oil gage housing .....	
-87	630689							Bracket - Oil gage support .....	
-88	AN500-D8-12							Screw - sheet metal rd. hd. ....	
----*----									
-89	630775							. Plate - Identification .....	
-90	21007							. Screw - Drive .....	6
-91	625017							Gasket - Oil cooler-to-bracket .....	1
-92	625093							Cooler Assy - Oil .....	
( ATTACHING PARTS )									
-93	AN960-416L							Washer - Plain .....	8
-94	AN936A416							Washer - Lock .....	8
-95	535631							Screw - 1/4 X 1 in. hex head .....	8
----*----									
-96	627702							Valve - Vernatherm .....	

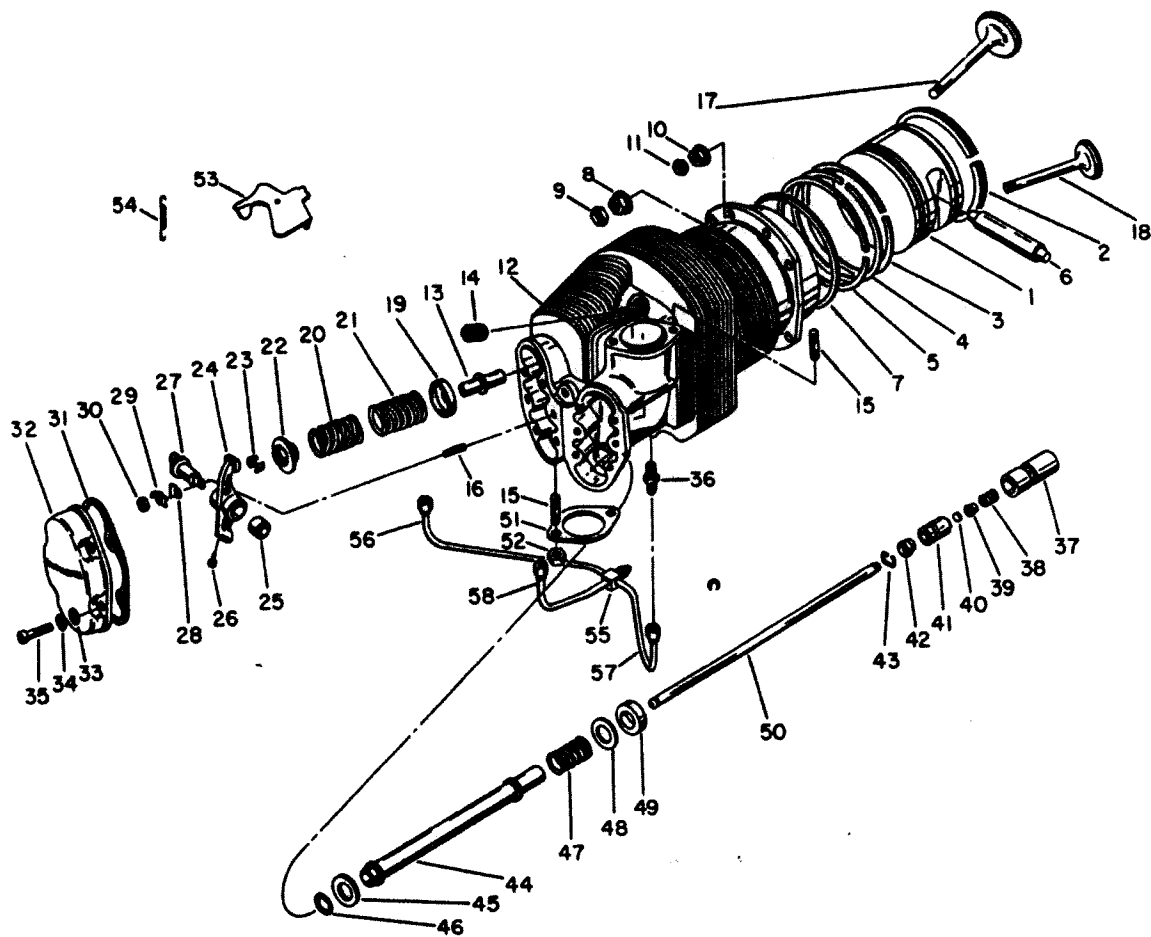


FIGURE 3. PISTON, CYLINDER AND PUSHROD ASSEMBLIES

FIG. & INDEX NO.	PART NUMBER	DESCRIPTION							UNITS PER ASSY
		1	2	3	4	5	6	7	
3-	630687	Piston and Pin Assembly - Complete .....							6
	630687	. Piston - 8.5:1 compression ratio .....							1
	630717-A1	. Ring Set - Complete .....							
-2	630679	. . Ring - Third groove .....							
-3	630678	. . Ring - Fourth groove .....							
-4	630677	. . Ring - Second groove .....							
-5	630717	. . Ring - Top groove .....							
-6	629690	. Pin and Plug Assembly - Piston .....							
-7	21477	Packing - Cylinder base .....							6
	630396-A2	Cylinder Assembly - Complete .....							6
( ATTACHING PARTS )									
-8	531001	Nut - 7/16-20 flanged .....							12
-9	2958	Lock - 7/16-20 nut .....							12
-10	531003	Nut - 3/8-24 flanged .....							36
-11	2561	Lock - 3/8-24 nut .....							36

FIG. & INDEX NO.	PART NUMBER	1	2	3	4	5	6	7	UNITS PER ASSY
	630396-A1	.							
	#630396	.	.						
-12	No Number	.	.	.					NS
-13	630262	.	.	.					2
-14	520112	.	.	.					2
-15	#401836	.	.	.					4
-16	#402711	.	.	.					4
-17	629707	.	.	.					1
-18	629706	.	.	.					
-20	24026	.	.	.					2
-20	625957	.	.	.					2
-21	625958	.	.	.					
-22	627732	.	.	.					
-23	627731	.	.	.					
3-	630476	.	.	.					
-24	No Number	.	.	.					NS
-25	627693	.	.	.					2
-26	21007	.	.	.					
-27	627694	.	.	.					2
-28	628059	.	.	.					2
( ATTACHING PARTS )									
-29	36025	.	.	.					
-30	2437	.	.	.					4
----*----									
o		.	.	.					
-31	627592	.	.	.					2
-32	627594	.	.	.					2
( ATTACHING PARTS )									
-33	AN960-416L	.	.	.					8
-34	AN936A416	.	.	.					8
-35	AN500D416-20	.	.	.					8
----*----									
-36	630100	.	.	.					
	628488	.	.	.					12
-37	H-15013	.	.	.					1
-38	H-22331	.	.	.					
-39	H-22227	.	.	.					
-40	H-7734	.	.	.					
-41	No Number	.	.	.					1
-42	No Number	.	.	.					1
-43	628491	.	.	.					
-44	630392	.	.	.					12
-45	629711	.	.	.					12
-46	630286	.	.	.					12
-47	629714	.	.	.					12
-48	629711	.	.	.					12
-49	629712	.	.	.					12
-50	630393	.	.	.					12
-51	630365	.	.	.					6
-52	22022	.	.	.					12
-53	630057	.	.	.					6
-54	532377	.	.	.					6
	629949	.	.	.					2
-55	631133	.	.	.					
-56	629946	.	.	.					
-57	629947	.	.	.					
-58	629948	.	.	.					

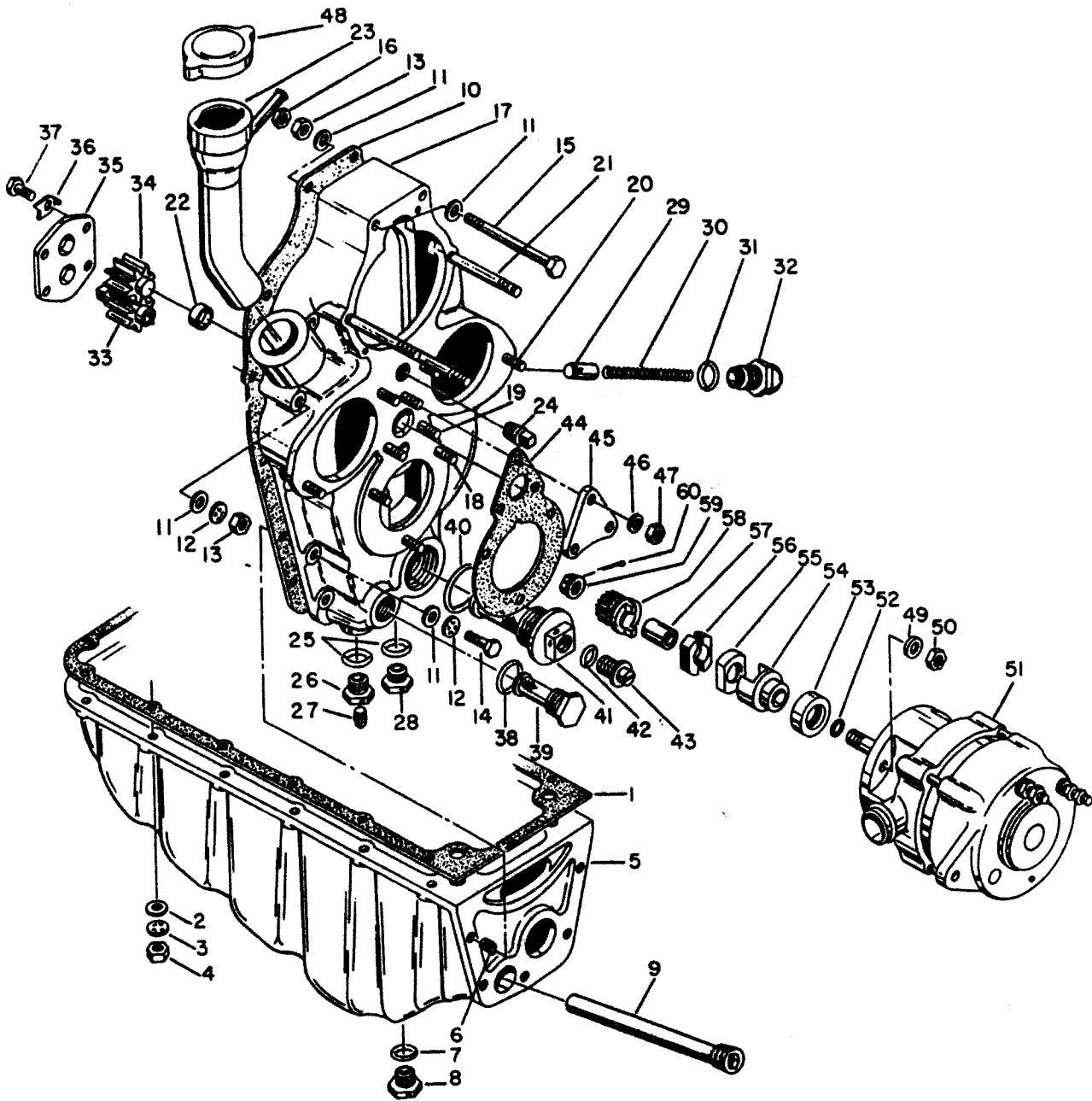


FIGURE 4. OIL SUMP, CRANKCASE COVER AND ALTERNATOR

FIG. & INDEX NO.	PART NUMBER	DESCRIPTION							UNITS PER ASSY
		1	2	3	4	5	6	7	
4-	530899 629671-A1	Gasket-Oil sump .....							
		Sump Assembly-Oil.....							
(ATTACHING PARTS)									
-2	20522	Washer-1/4 in. plain .....							14
-3	AN936A416	Washer-Lock .....							14
-4	2437	Nut-1/4-28 in. plain .....							14

FIG. & INDEX NO.	PART NUMBER	DESCRIPTION							UNITS PER ASSY
		2	3	4	5	6	7		
-5	No Number	.	Sump-Oil .....						NS
-6	MS1222122	.	Insert-Thread .....						5
-7	AN900-10	.	Gasket-Annular .....						
-8	2265	.	Plug-5/8-18 drain .....						
-9	626264	.	Tube Assembly-Suction .....						
-10	530011	.	Gasket-Crankcase cover-to-crankcase .....						
	629922-AI	.	Cover Assembly - Complete crankcase .....						
(ATTACHING PARTS)									
-11	2473	.	Washer-5/16 in. plain .....						13
-12	AN936A516	.	Washer-Lock .....						11
-13	2439	.	Nut-5/16-24 in. plain .....						7
-14	537961	.	Screw-5/16-18 X 1 in. hex head .....						5
-15	539916	.	Bolt-5/16-24 X 3-1/4 in. hex head .....						1
-16	2560	.	Lock-5/16-24 nut .....						
-----*									
	629922	.	Cover Assembly-Crankcase .....						
-17	No Number	.	Cover-Crankcase .....						NS
-18	#401809	.	Stud-5/16 X 1-3/8 in. ....						3
-19	#401870	.	Stud-1/4 X 1-1/8 in. ....						3
-20	#401885	.	Stud-5/16 X 1-5/16 in. ....						4
-21	#401926	.	Stud-5/16 X 4 in. ....						3
-22	627762	.	Bushing-Oil pump .....						2
-23	630326	.	Neck-Oil filler .....						1
-24	629518-3	.	Plug-3/8 NPT .....						2
-25	AN900-10	.	Gasket-Annular .....						1
-26	630415	.	Plug-5/8-18 hex head .....						1
-27	629518-1	.	Plug-1/8 NPT .....						1
-28	532432	.	Plug-5/8-18 hex head .....						1
-29	21114	.	Plunger-Oil pressure relief valve .....						
-30	539620	.	Spring-Oil pressure relief valve .....						
-31	AN900-14	.	Gasket-Annular .....						
-32	21113	.	Cap-Oil pressure relief valve .....						
-33	626088	.	Gear-Oil pump drive .....						
-34	629604	.	Gear-Oil pump driven .....						
-35	626090	.	Cover-Oil pump .....						
(ATTACHING PARTS)									
-36	36025	.	Washer-Tab .....						4
-37	22537	.	Screw-1/4-20 X 5/8 in. hex head .....						4
-38	AN900-16	.	Gasket-Annular .....						
-39	530005	.	Screen Assembly-Suction .....						1
-40	AN900-28	.	Gasket-Annular .....						
4- 41	530003	.	Screen Assembly-Pressure Oil .....						1
-42	AN900-10	.	Gasket-Annular .....						1
-43	532432	.	Plug-5/8-18 in. (Plastic shipping) .....						
-44	36100	.	Gasket-Generator/Tach drive cover .....						1
-45	629611	.	Cover-Tachometer drive .....						1

FIG. & INDEX NO.	PART NUMBER	DESCRIPTION							UNITS PER ASSY
		1	2	3	4	5	6	7	

(ATTACHING PARTS)

-46	20522								3
-47	2437								3

-----\*

-48	352111								1
	631080								1

(ATTACHING PARTS)

-49	2473								3
-50	21213								3

-----\*

-51	629820	.							1
-52	AN123864	.							1
-53	352068	.							1
-54	530406	.							1
-55	352030	.							1
-56	631081	.							2
-57	530407	.							1
-58	531325	.							
-59	530412	.							
-60	2501	.							
	630702								1

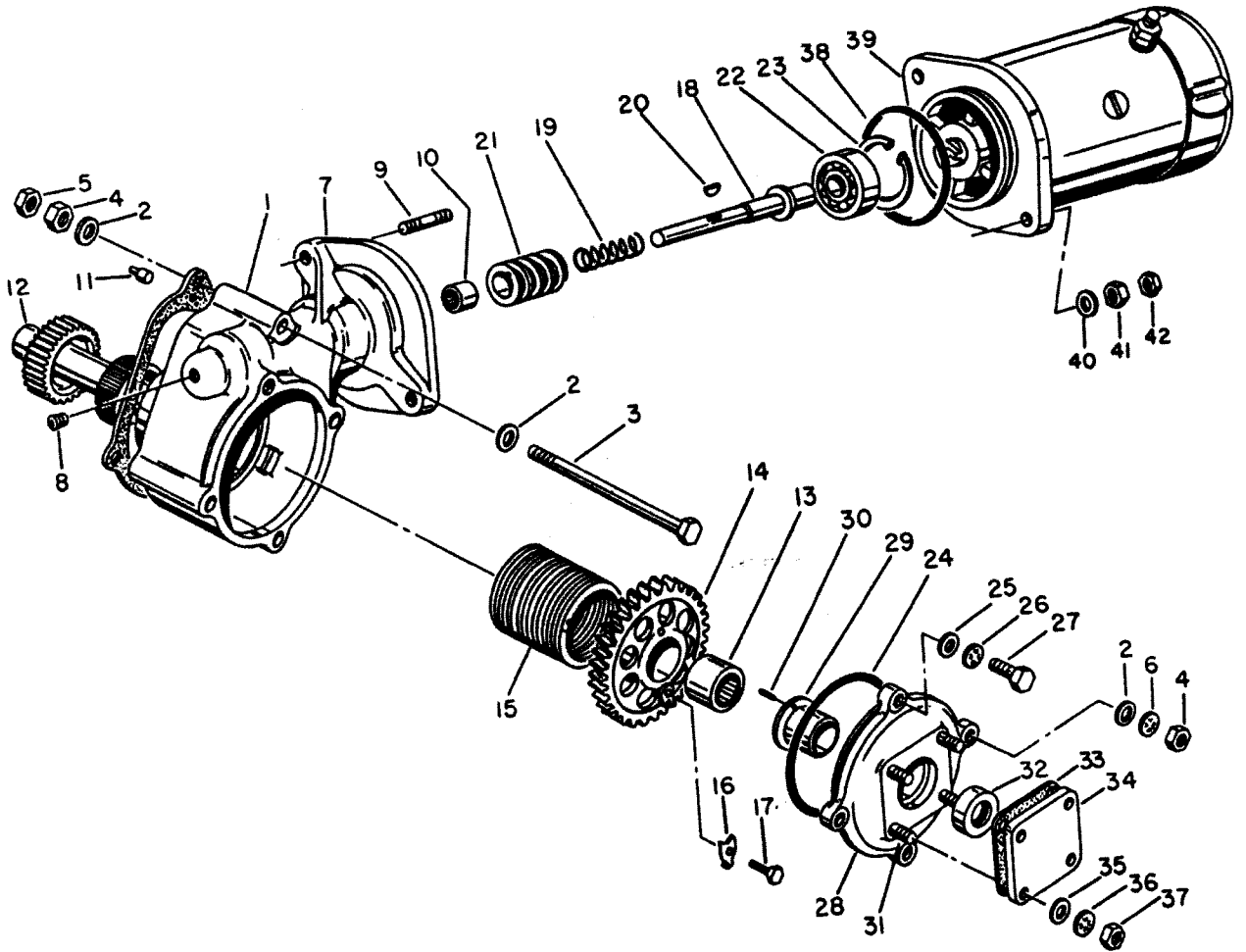


FIGURE 5. STARTER AND ADAPTER

FIG. & INDEX NO.	PART NUMBER	DESCRIPTION	UNITS PER ASSY							
			2	3	4	5	6	7		
5-	627993	Gasket-Starter adapter-to-crankcase cover .....								
	628158	Adapter Assembly-Complete starter .....								
(ATTACHING PARTS)										
-2	2473	Washer-5/16 in. plain .....								8
-3	628056	Bolt-5/16-24 X 5-13/32 in. hex head .....								1
-4	2439	Nut-5/16-24 plain .....								4
-5	2560	Lock-5/16-24 nut .....								1
-6	AN936A516	Washer-Lock .....								1
-----*										
	628161	Adapter Assembly-Starter .....								1
-7	No Number	. Adapter-Starter .....								NS
-8	AN932-2	. Plug-1/8 NPT .....								1
-9	#401965	. Stud-3/8 X 1-13/32 in .....								1
-10	534959	. Bearing-Needle .....								2
-11	627882	. Dowel-5/16 X 33/64 in .....								2
-12	627817	Shaftgear-Starter .....								1

FIG. & INDEX NO.	PARTS NUMBER	DESCRIPTION						UNITS PER ASSY
		2	3	4	5	6	7	
-13	628075							1
-14	627860							1
-15	539800							1
(ATTACHING PARTS)								
-16	501867							1
-17	536566							
----*----								
-18	534982							
-19	536552							
-20	AN280H405							
-21	539805							
-22	X13041							
-23	502287							
-24	AN123902							
	628071							
(ATTACHING PARTS)								
-25	2473							
-26	AN936A516							
-27	536795							
----*----								
-28	No Number							NS
-29	628125							
-30	626844							
-31	401963							4
-32	25102							
-33	AN4045-1							
-34	25005							
(ATTACHING PARTS)								
-35	20522							4
-36	AN936A416							4
-37	2437							4
5-38	MS9021-038							1
-39	627841							
(ATTACHING PARTS)								
-40	539058							2
-41	AN936A616							2
-42	2441							2

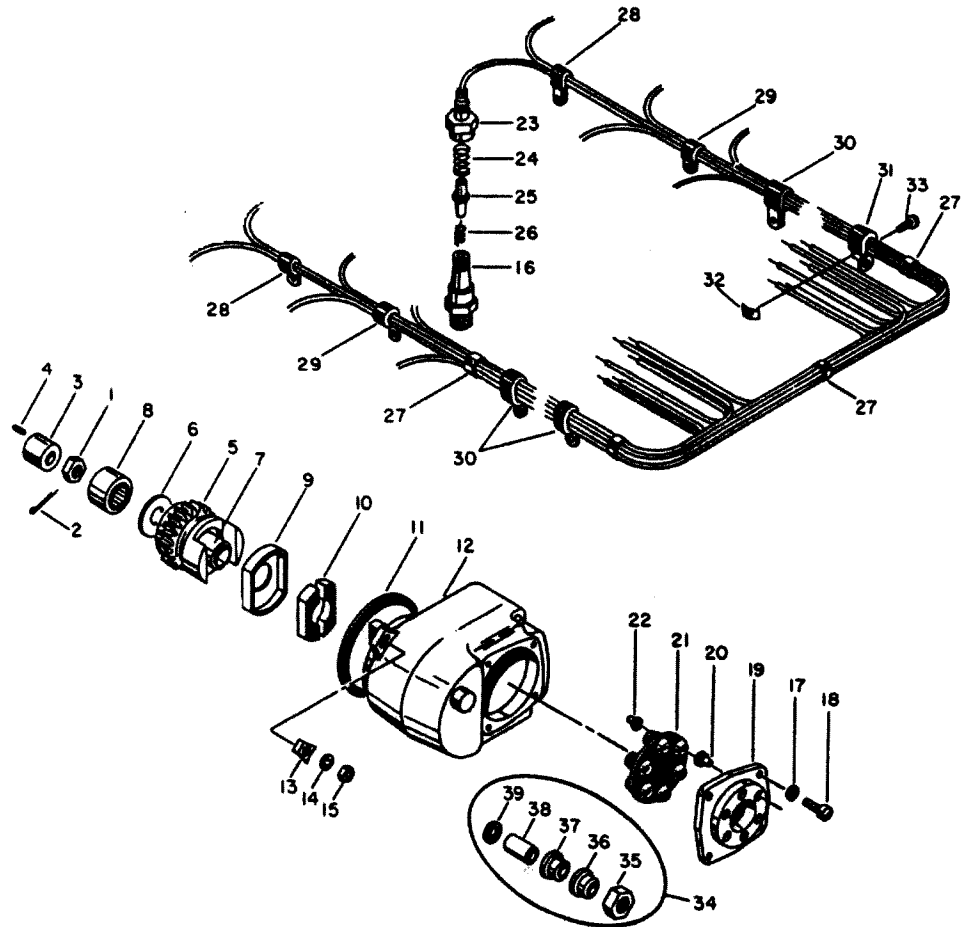


FIGURE 6. IGNITION SYSTEM

FIG. & INDEX NO.	PARTS NUMBER	DESCRIPTION							UNITS PER ASSY
		2	3	4	5	6	7		
6-	630529	Shaft Assembly-Magneto gear support.....							2
(ATTACHING PARTS)									
-1	2457	Nut-5/16-24 slotted.....							2
-2	MS24665-151	Pin-cotter.....							2
-----									
-3	No Number	. Shaft-Magneto gear support .....							NS
-4	625495-7	. Pin-Roll.....							NS
6-	630525	Gear and Bearing Assembly-Magneto drive.....							2
-5	No Number	. Gear-Magneto .....							NS
-6	630523	. Washer-Special thrust.....							
-7	531177	. Sleeve-Magneto coupling pilot .....							
-8	629591	. Bearing-Magneto gear .....							
-9	531178	Retainer-Magneto coupling .....							2
-10	531179	Coupling-Magneto.....							4
-11	534750	Gasket-Magneto .....							2
-12	536248	Magneto-Scintilla Model S6LN-25 .....							2
(ATTACHING PARTS)									
	630535	Washer-Hold down .....							4

FIG. & INDEX NO	PARTS NUMBER	DESCRIPTION	UNITS PER ASSY
		2 3 4 5 6 7	
-14	AN936A516	Washer-Lock.....	4
-15	2439	Nut-5/16-24 plain.....	4
		-----*-----	
-16	630049	Spark Plug-18mm with gasket.....	12
	630430	Harness Assembly-Complete ignition.....	
	630431	. Harness-Left magneto ignition.....	1
		(ATTACHING PARTS)	
-17	AN936-10	. Washer-Lock.....	4
-18	AN501-10-10	. Screw-No. 10 X 5/8 in. lg.....	4
		-----*-----	
-19	629497	. . Plate-6-cylinder distributor cable.....	1
-20	629498	. . Ferrule-Ignition cable.....	6
-21	629496	. . Grommet-6-cylinder distributor cable.....	1
-22	629495	. . Eyelet-Ignition cable.....	6
	629503-32.13	. . Cable Assy-No. 4 cylinder upper.....	1
	629503-34.88	. . Cable Assy-No. 1 cylinder lower.....	1
	629503-37.13	. . Cable Assy-No. 6 cylinder upper.....	1
	629503-41.63	. . Cable Assy-No. 2 cylinder upper.....	1
	629503-42.13	. . Cable Assy-No. 3 cylinder lower.....	1
	629503-46.13	. . Cable Assy-No. 5 cylinder lower.....	1
	No Number	. . Cable-Ignition.....	NS
-23	10-320146	. . Nut.....	1
-24	10-94225-2	. . Spring Assembly.....	
-25	10-176142	. . Sleeve.....	
-26	10-32326	. . Spring.....	1
	630432	. Harness-Right magneto ignition (For attaching parts see 6-17 and 6-18 above.).....	
	629497	. . Plate-6-cylinder distributor cable.....	
	629498	. . Ferrule-Ignition cable.....	6
	629496	. . Grommet-6-cylinder distributor cable.....	1
6-	629495	. . Eyelet-Ignition cable.....	6
	629503-27.00	. . Cable Assy-No. 1 cylinder upper.....	1
	629503-33.00	. . Cable Assy-No. 3 cylinder upper.....	1
	629503-38.38	. . Cable Assy-No. 5 cylinder upper.....	
	629503-38.88	. . Cable Assy-No. 4 cylinder lower.....	
	629503-44.88	. . Cable Assy-No. 6 cylinder lower.....	
	629503-50.13	. . Cable Assy-No. 2 cylinder lower.....	
	No Number	. . Cable - Ignition.....	NS
	10-320146	. . Nut.....	
	10-94225-2	. . Spring Assembly.....	1
	10-176142	. . Sleeve.....	1
	10-32326	. . Spring.....	
-27	629494	. Strap.....	4
-28	10-320298-1	. Clamp-Two wire.....	2
-29	10-320300-1	. Clamp-Four wire.....	2
-30	10-320232	. Clamp-Six wire.....	3
-31	10-320136-1	. Clamp-Bracket.....	
-32	10-320205	. Nut-Speed.....	1
-33	10-37661	. Screw.....	1
-34	352024	Kit-Ground terminal.....	2
-35	25318	. Nut-Coupling.....	1
-36	25316	. Ferrule-Inner.....	
-37	25317	. Ferrule-Outer.....	
-38	530455	. Sleeve-Insulating.....	1
-39	25314	. Washer-Plain.....	

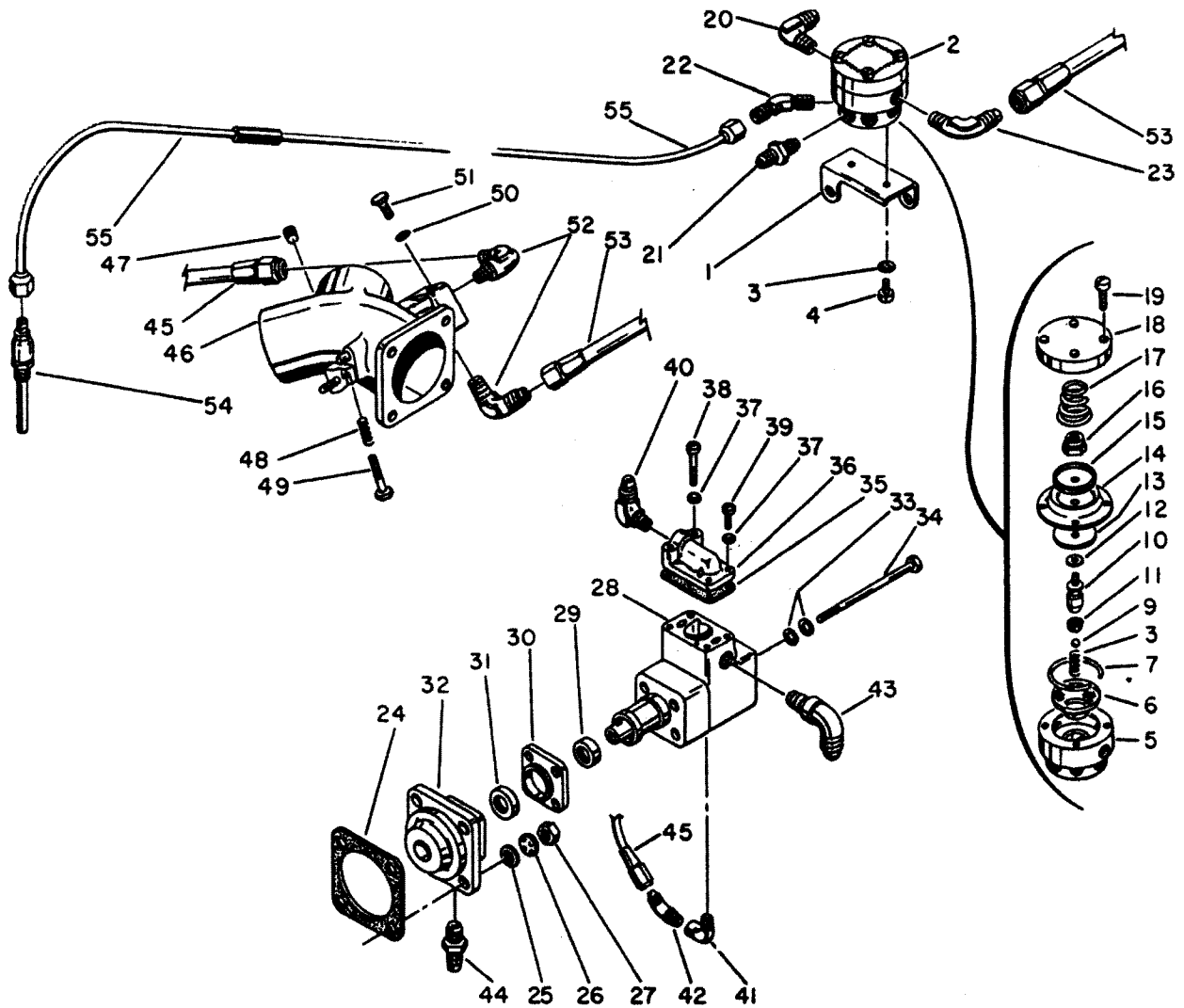


FIGURE 7. FUEL INJECTION SYSTEM

FIG. & INDEX NO.	PARTS NUMBER	DESCRIPTION							UNITS PER ASSY
		2	3	4	5	6	7		
7-	626406	Bracket-Manifold valve (See figure 1-35 thru -38 for attaching parts) .....							1
-2	630185	Valve Assembly-Fuel manifold .....							1
(ATTACHING PARTS)									
-3	AN936A10	Washer-Lock .....							2
-4	AN500-10-5	Screw-No. 10-24 X 5/16 in .....							2
-----*									
-5	626547	Body-Manifold valve .....							
-6	626557	Screen-Manifold valve .....							
-7	626563	Circlip .....							
-8	630088	Spring-Compression .....							
-9	628249-7	Ball-Steel .....							
	629287	Diaphragm Assembly-Manifold valve .....							1
-10	630497	Plunger-Manifold valve .....							1

FIG. & INDEX NO.	PARTS NUMBER	DESCRIPTION							UNITS PER ASSY	
		1	2	3	4	5	6	7		
-11	630566	.	.							
-12	627124	.	.							
-13	627123	.	.							
-14	626536	.	.							
-15	626556	.	.							
-16	627340	.	.							1
-17	630184	.	.							1
-18	636553	.	.							
-19	AN500A8-10	.	.							4
-20	AN822-2B	.	.							1
-21	AN780-2	.	.							
-22	627331	.	.							4
-23	628437	.	.							1
-24	534941	.	.							1
	629373	.	.							
(ATTACHING PARTS)										
-25	2473	.	.							4
-26	AN936A516	.	.							4
-27	2439	.	.							4
----*----										
-28	No Number	.	.							NS
-29	087HA16	.	.							1
-30	628177	.	.							
-31	628178	.	.							
-32	630166	.	.							
(ATTACHING PARTS)										
-33	628321-A3-72	.	.							4
-34	628357-1	.	.							
----*----										
-35	625548	.	.							1
-36	625902	.	.							1
(ATTACHING PARTS)										
7- 37	AN960-8	.	.							4
-38	AN500A8-12	.	.							2
-39	AN500A8-7	.	.							2
----*----										
-40	628437	.	.							1
-41	627119	.	.							1
-42	628436	.	.							1
-43	628475	.	.							
-44	628438	.	.							
-45	629192-S4S-016	.	.							
	630275-1	.	.							1
-46	No Number	.	.							NS
-47	2024	.	.							
-48	626634	.	.							
-49	626586	.	.							
-50	AN123960	.	.							
-51	629894	.	.							
-52	628437	.	.							
-53	629192-S4S-1400	.	.							
-54	630715	.	.							6
-55	628305	.	.							6

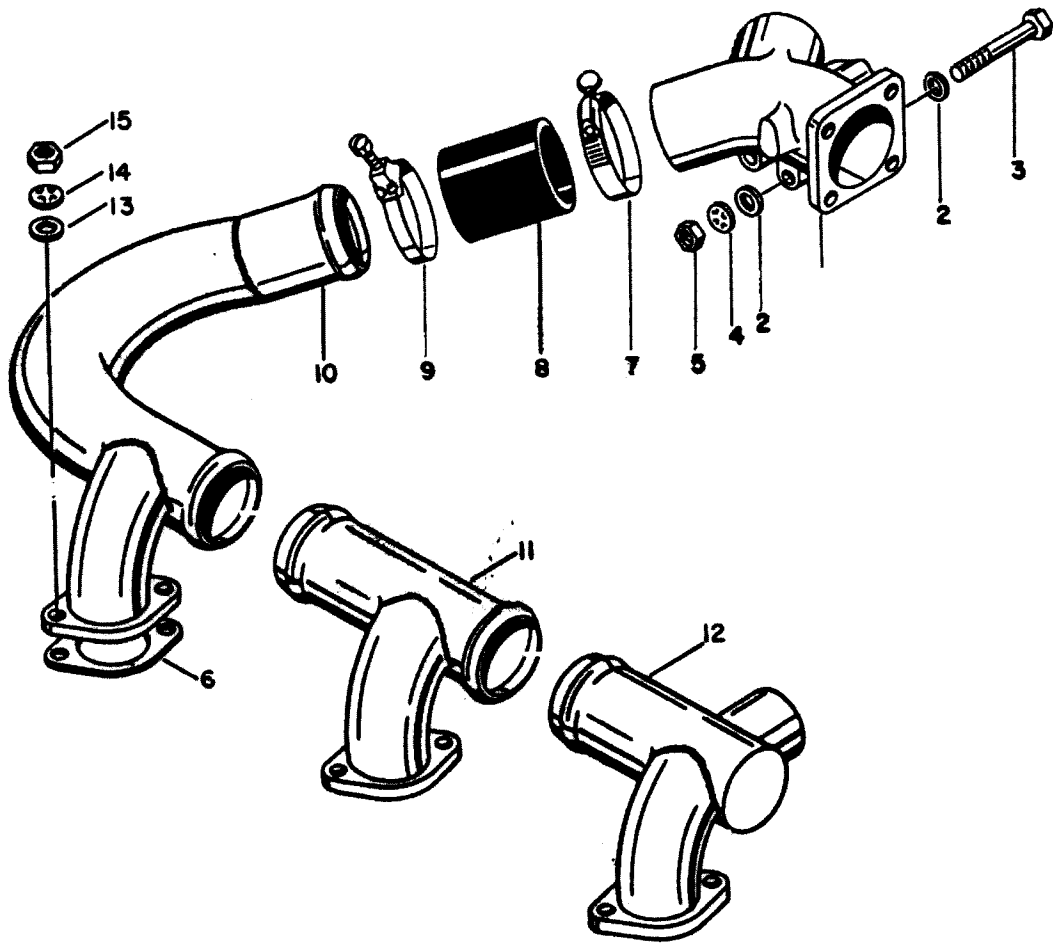


FIGURE 8. INDUCTION SYSTEM

FIG. & INDEX NO.	PARTS NUMBER	DESCRIPTION							UNITS PER ASSY
		2	3	4	5	6	7		
3-	No Number	Induction System .....							NS
-1	630275-1	Throttle Body-Air (See figure 7-46).....							Ref
(ATTACHING PARTS)									
-2	22139	Washer-Plain.....							4
-3	537728	Screw-1/4 X 1-47/64 in. hex head.....							2
-4	AN936A416	Washer-Lock.....							
-5	2437	Nut-1/4-28 plain.....							
-----*									
-6	629925	Gasket-Intake manifold.....							6
-7	AN737TW74-91	Clamp-Hose.....							2
-8	24827	Hose-Tube Connector.....							6
-9	35151E	Clamp-Hose.....							10
-10	630405	Tube Assy-No. 6 cylinder intake.....							1
	630406	Tube Assy-No. 5 cylinder intake.....							1
-11	629864	Tube Assy-No. 3 and 4 cylinder intake.....							2
-12	629872	Tube Assy-No. 2 cylinder intake.....							
	629873	Tube Assy-No. 1 cylinder intake.....							

FIG. & INDEX NO.	PART NUMBER	DESCRIPTION							UNITS PER ASSY
		1	2	3	4	5	6	7	

(ATTACHING PARTS)

-13	AN960-516L-516L	Washer-5/16 in. plain.....							12
-14	AN936A516	Washer-Lock.....							12
-15	2439	Nut-5/16-24 plain.....							12

-----\*

SECTION

OVERSIZE AND UNDERSIZE PARTS LIST

PART NO.	NAME	DESCRIPTION	PART NO.	NAME	DESCRIPTION
35897M010	Bearing	0.010" US on ID	401965P007	Stud	0.007" OS on PD
401801P003	Stud	0.003" OS on PD	401965P012	Stud	0.012" OS on PD
401801P007	Stud	0.007" OS on PD	401977P003	Stud	0.003" OS on PD
401801P012	Stud	0.012" OS on PD	401977P007	Stud	0.007" OS on PD
401809P003	Stud	0.003" OS on PD	401977P012	Stud	0.012" OS on PD
401809P007	Stud	0.007" OS on PD	402151P003	Stud	0.003" OS on PD
401809P012	Stud	0.012" OS on PD	402151P007	Stud	0.007" OS on PD
401814P003	Stud	0.003" OS on PD	402151P012	Stud	0.012" OS on PD
401814P007	Stud	0.007" OS on PD	402439P003	Stud	0.003" OS on PD
401814P012	Stud	0.012" OS on PD	402439P007	Stud	0.007" OS on PD
401836P003	Stud	0.003" OS on PD	402439P012	Stud	0.012" OS on PD
401836P007	Stud	0.007" OS on PD	402711P003	Stud	0.003" OS on PD
401836P012	Stud	0.012" OS on PD	402711P007	Stud	0.007" OS on PD
401870P003	Stud	0.003" OS on PD	402711P012	Stud	0.012" OS on PD
401870P007	Stud	0.007" OS on PD	629609M010	Bearing	0.010" US on ID
401870P012	Stud	0.012" OS on PD	629627P020	Camshaft	0.020" OS on OD
401885P003	Stud	0.003" OS on PD	630251M010	Bearing	0.010" US on ID
401885P007	Stud	0.007" OS on PD	630307M010	Crankshaft	0.010" US on ID
401885P012	Stud	0.012" OS on PD	630677P005	Ring	0.005" OS on OD
401894P003	Stud	0.003" OS on PD	630677P015	Ring	0.015" OS on OD
401894P007	Stud	0.007" OS on PD	630678P005	Ring	0.005" OS on OD
401894P012	Stud	0.012" OS on PD	630678P015	Ring	0.015" OS on OD
401926P003	Stud	0.003" OS on PD	630679P005	Ring	0.005" OS on OD
401926P007	Stud	0.007" OS on PD	630679P015	Ring	0.015" OS on OD
401926P012	Stud	0.012" OS on PD	630687P015	Piston	0.015" OS on OD
401945P003	Stud	0.003" OS on PD	630717P005	Ring	0.005" OS on OD
401945P007	Stud	0.007" OS on PD	630717P015	Ring	0.015" OS on OD
401945P012	Stud	0.012" OS on PD	630717-A1P005	Ring Set	0.005" OS on OD
401965P003	Stud	0.003" OS on PD	630717-A1P015	Ring Set	0.015" OS on OD

**SECTION III**  
**REPAIR PARTS SETS AND**  
**MATERIALS**

<u>PART NUMBER</u>	<u>DESCRIPTION</u>	<u>SIZE</u>
20705-1	Gasket Paste-Tite Seal, light-weight.....	4 oz. tube
631348-A1	Gasket Set-Complete Overhaul.....	Standard
630717-A1	Ring Set-Complete Engine.....	Standard
630717-A1P005	Ring Set-Complete Engine.....	.005" OS on OD
630717-A1P015	Ring Set-Complete Engine.....	.015" OS on OD
629609-A1	Bearing Set-Crankshaft.....	Standard
629609-A1M010	Bearing Set-Crankshaft.....	.010" US on ID
626531-1	Enamel-Gold, Engine.....	1 quart
626531-2	Enamel-Gold, Engine.....	1 Gallon
535011	Lock wire-0.040 in. dia. steel.....	Order by the ft.
539798	Lock wire-0.020 in. dia. steel.....	Order by the ft.

SECTION IV  
STUD INTERCHANGEABILITY LIST

NOTE

All original part numbers in second column or any line are equivalent to new part number in first column on same line.

NEW PART NUMBER	ORIGINAL PART NUMBERS	NEW PART NUMBER	ORIGINAL PART NUMBERS
	1/4-20 x 1/4-28		5/16-18 x 5/16-24
401800	22002	402806	20992
401801	20546		2394
	20988	401809	22145
401804	22423		22005
401805	2378		2465
401816	22641	401881	25030
	22539		531590
401832	531661	401882	22003
401841	22320	401885	20001
401843	501891		2389
	530479	401932	21067
401852	532498	402041	2390
	25008	402042	23909
401855	535338	402043	20990
401869	21393	402044	21463
401870	22318	402045	22195
401886	531649	402047	22058
401893	22319	402048	22362
	532501	402049	23190
401951	23401	402052	531607
401962	21060		3/8-16 x 3/8-24
401963	2018	401798	534901
402037	21167	401860	22433
402053	21322		20158
	22001	401861	21480
402055	22461		23491
402056	537422		532515
402711	2012	401945	20100
	5/16-18 x 5/16-24		531389
401814	532507	401965	22006
401824	22325	401977	20994
	23297		21483
401837	24007		531605
401851	532522	401978	532516
	532513	402032	25361
401863	537866		532115
401883	532505	402057	2415
401895	20096	402059	534020
	532612	402060	532514
401899	20092	402061	537696
	2399	402062	533016
	23910	402063	537697
401952	532517	402064	533283
401969	22335		7/16-14 x 7/16-20
401971	530480	402040	25331
	22326		1/2-13 x 1/2-20
	532511	402069	531593
401975	532113	402070	531598